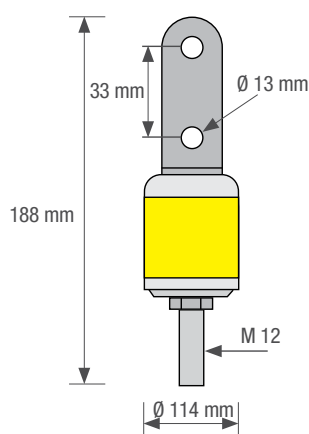




G 100/150 F



G 100/150 F is a low-voltage limiters (LVL) for bonding in the vicinity of d.c. railway systems, with the following features and benefits:

- At voltages > 120 V d.c. a reliable and stable arcing connection is provided;
- The arc voltage is approximately 30 V;
- The arcing voltage is independent from environmental conditions;
- Vertical installation is recommended;
- This device meets the requirements of EN 50526-2 (2014).

Model G 100/150 ...

Model G 100/150 ...		F
CODE		400 000
Made comply with:		EN 50526-2
EN 62561-3 classification		H (Heavy Duty)
Sparkover voltage in dc		300 ... 500 V dc
Sparkover voltage in ac		≥ 250 V rms
Sparkover voltage with 6 kV (1,2/50 µs)		≤ 1200 V
Response time		≤ 100 ns
Lightning discharge current (10/350 µs)	I _{imp}	150 kA
Charge	Q	75 As
Nominal discharge current (8/20 µs)	I _n	100 kA
Maximum discharge current (8/20 µs)	I _{max}	200 kA
Behaviour of End of Life		SCFM (short circuit)
Short Circuit Current in dc	I _{scrc}	20 kA (30 ms)
Short Circuit Current in ac	I _{scrc}	8 kA rms (100 ms)
Isolation resistance at 200 V/dc	R _{isol}	> 1 GΩ
Capacity at 1 MHz	C	35 pF
Operating temperature range		-40 ... + 90 °C
Climatic category comply with IEC 60068-1		40/90/21
Mounting		vertical
Case material		steel
Degree of protection		IP 66
Approximate weight		950 g
Terminals		angle cleat M12/M12 bolt
Dimensions		188 x 114 mm
GTIN (EAN)		8054890321662

TECHNICAL DATA