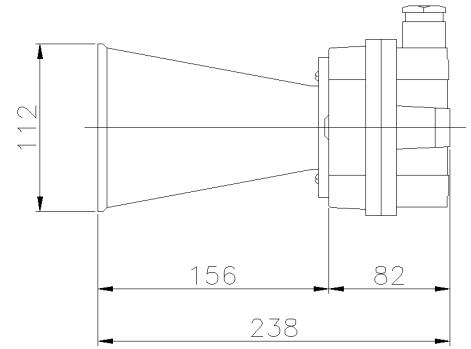


SERIES ALARM-Ex
ACCESSORY
CODE 900449



Datasheet

Specifications

Net Weight	0.49 KG
Manufacturing material	Aluminium alloy (EN 46100)
Dimensions	DIAMETRO MAX 112 mm
Projection of siren + horn	238

Warranties, Reference Standards and Directives

Warranty	1 years
Certification and approval marks	CE

Directives	2001/95/EC (GPSD)
------------	-------------------

Reference Standards

The images are purely indicative. Palazzoli reserves the right to make changes without notice.