

# TAIS MIGNON

*Watertight cap for inserted plug*





# TAIS MIGNON series

## Watertight cap for inserted plug

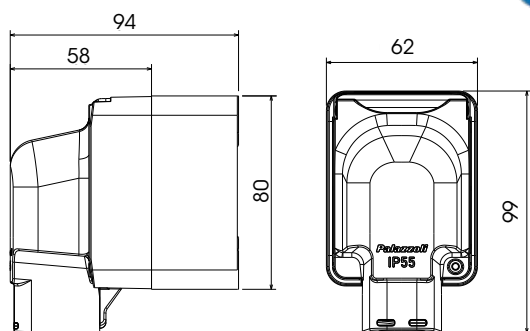
Palazzoli Thermosetting GRP heavy-duty applications

### Zero maintenance

Tais Mignon is indestructible thanks to the Palazzoli thermosetting GRP which does not burn, does not age, and does not emit toxic gases.

### Can be installed everywhere

The small dimensions make it versatile for installation in minimum spaces, such as work undercounters or small niches.



### Customisable

The box is designed to accommodate all the domoTER series outlets such as data sockets, USB, TV, telephone or schuko sockets, etc.



### Absolute resistance

**IK08** offers excellent resistance to shock and tear. Tais Mignon is watertight **IP55**, even when the plug is inserted and the lid is closed.

### Vandal-proof

Designed for the insertion of a **door lock screw** which prevents access to unauthorized personnel.



Self-tapping screws 2.9x13 mm

### Range



**Wall-mounted** outlet-holder box for domoTER domestic sockets with **watertight cap for inserted plug IP55**

Entry type	Enclosure dimensions (mm)	No. of mountable modules	Palazzoli code	Pack Qty
M20	62x80x94	2	<b>559234</b>	1

**Equipment included:** type M20 technopolymer cable gland.  
**Features:** can also be used with two opposite inlets, replacing the M20 closing cap, pre-mounted in the lower part of the box, with a M20 cable gland.



**Outlet-holder** frame for domoTER civil sockets with **watertight cap for inserted plug IP55**

Frame size (mm)	Recess size (mm)	No. of mountable modules	Palazzoli code	Pack Qty
62x80x58	50x50	2	<b>559134</b>	1

**Equipment included:** complete with stainless steel captive fixing screws.  
**Features:** can be installed directly on the panel or with recessed bottom box code 101221.